

LVDS – UT54LVDS454 1.25 Gbps Repeater UT54LVDS454-EVB Evaluation Board

UT54LVDS454-EVB Evaluation Board – Brief Description

1.0 Product Information

Table 1: Cross Reference of Applicable Products

Product Name	CAES Part #	SMD #	Internal PIC #
2.5V 1.25 Gbps LVDS Repeater Evaluation Board	UT54LVDS454-EVB	5962-21211	WQ06

2.0 Product Data Sheet and Evaluation Board Links

<https://frontgrade.com/product/ut54lvds454>

TRANSCEIVERS | UT54LVDS454

<https://frontgrade.com/product/ut54lvds454#overview>

UT54LVDS454 1.25 Gbps LVDS Repeater Evaluation Board

Part Number: UT54LVDS454-EVB

<https://frontgrade.com/sites/default/files/documents/Datasheet-UT54LVDS454.pdf>

UT54LVDS454 1.25 Gbps LVDS Repeater

Data Sheet

3.0 Block Diagrams Showing Both Product Applications

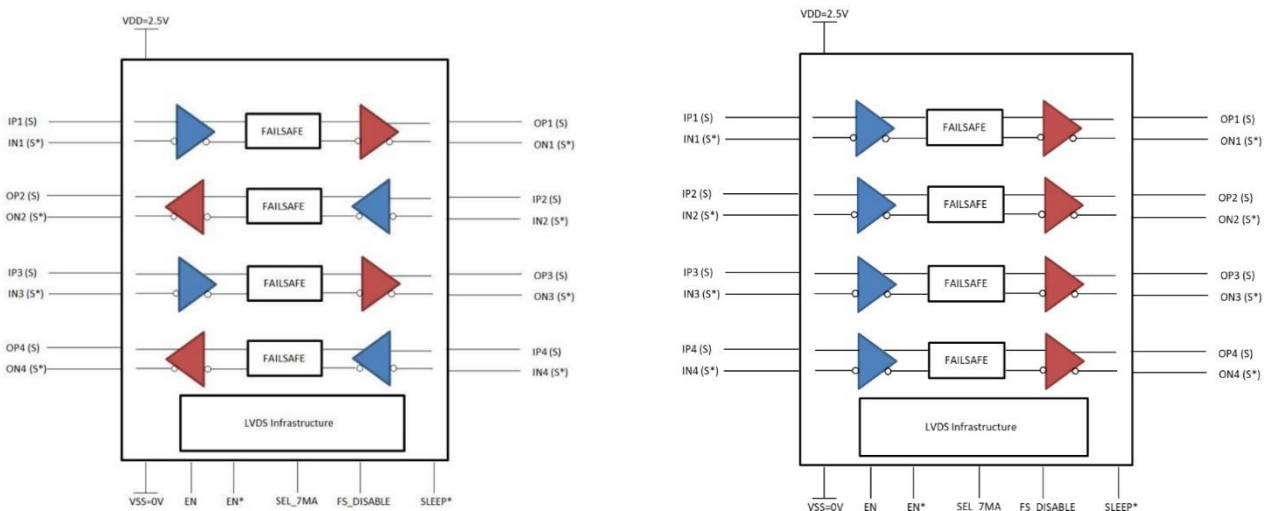


Figure 1. UT54LVDS454 1.25 Gbps LVDS Repeater – Block Diagrams

LVDS – UT54LVDS454 1.25 Gbps Repeater UT54LVDS454-EVB Evaluation Board

4.0 Product Evaluation Board - Photo

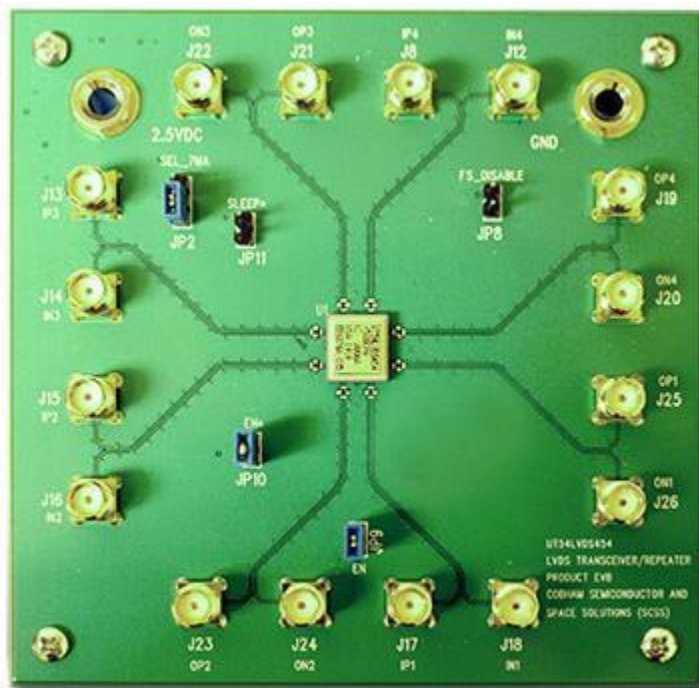


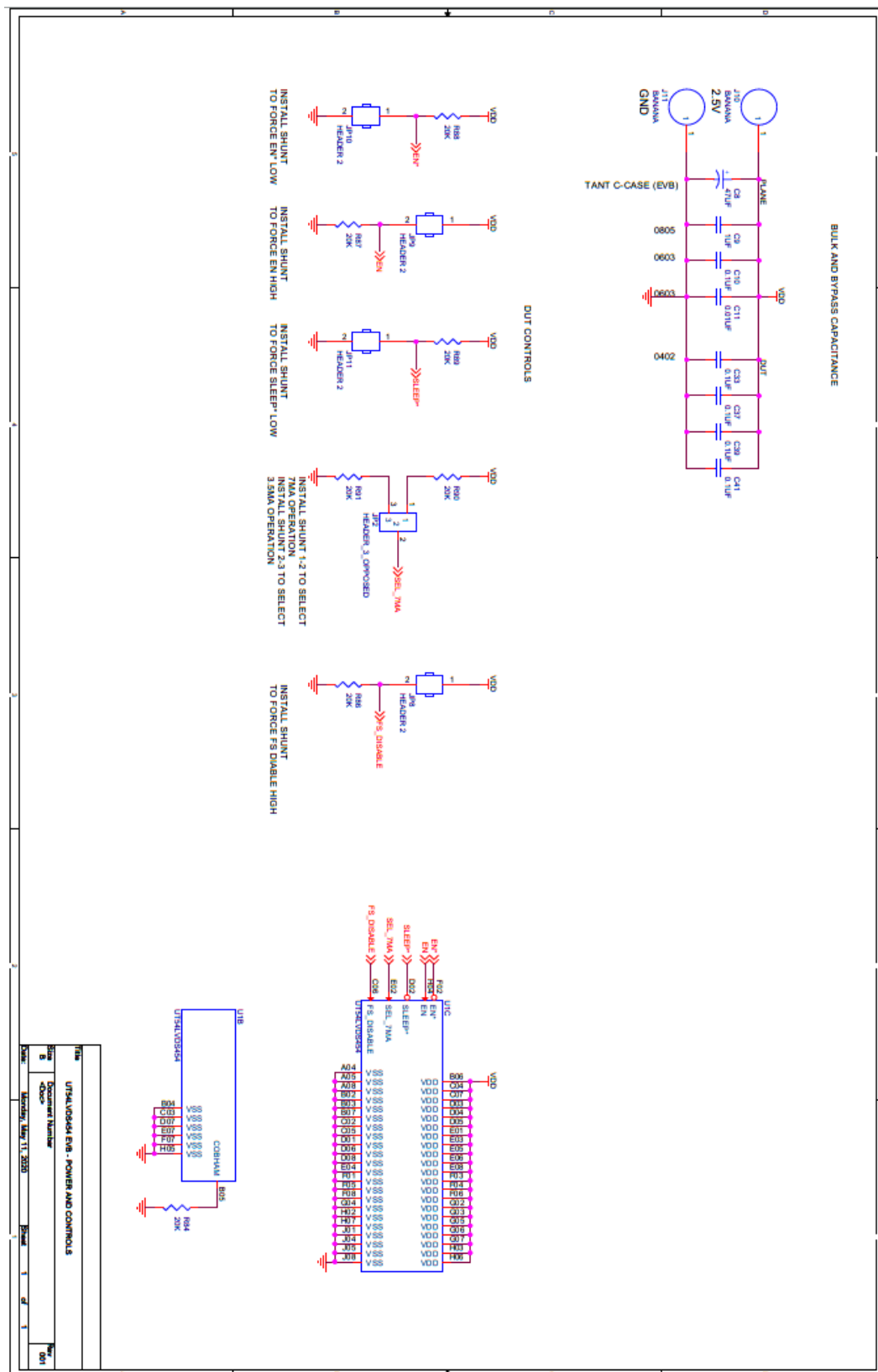
Figure 2. UT54LVDS454-EVB 1.25 Gbps LVDS Repeater Evaluation Board - Photo

Note:

- 1) Printed Circuit Board (PCB) dimensions: 10.16 cm x 10.16 cm (4 in. x 4 in.).

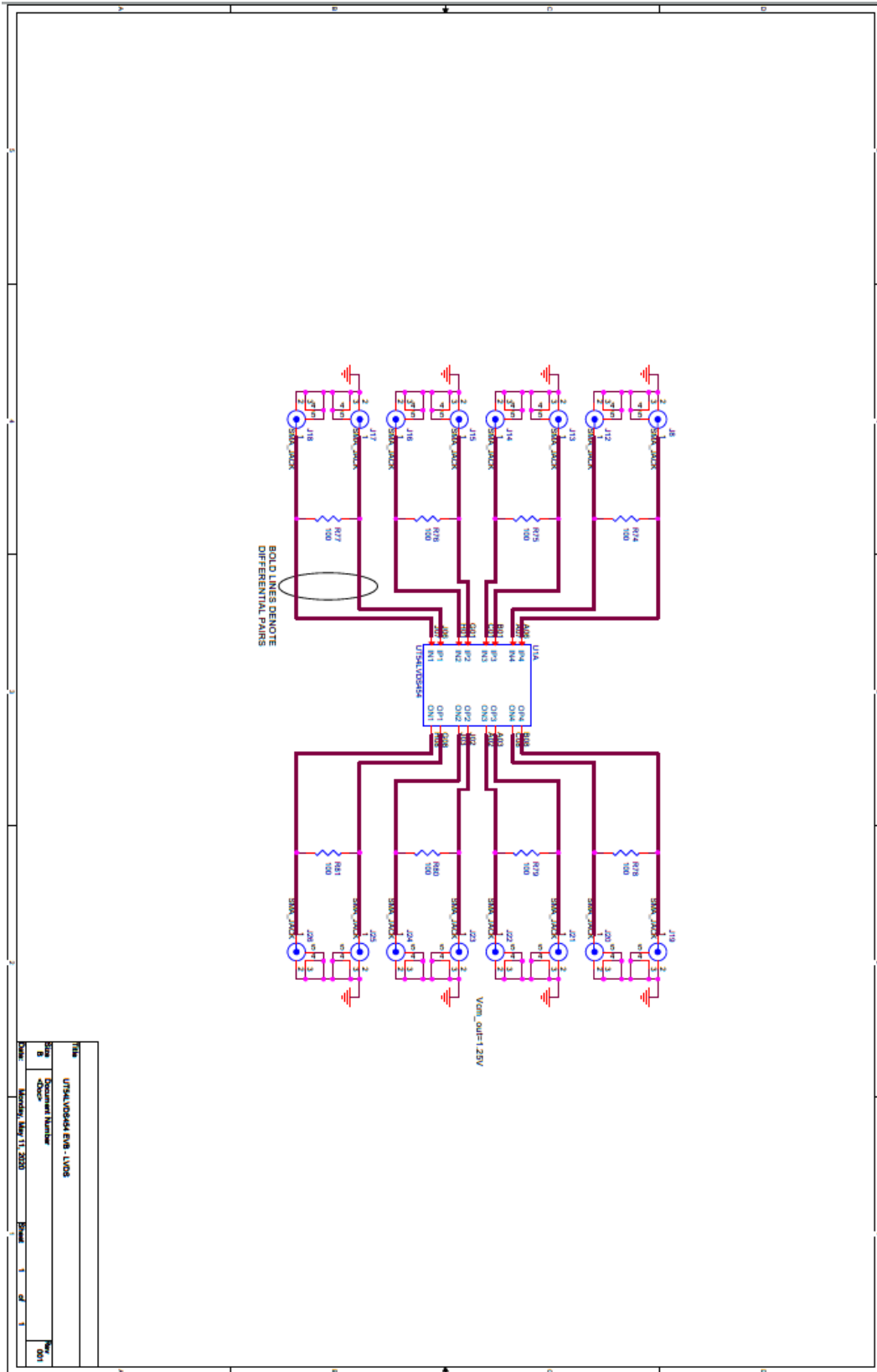
LVDS – UT54LVDS454 1.25 Gbps Repeater UT54LVDS454-EVB Evaluation Board

5.0 Product Evaluation Board – Schematic Diagram: p. 1 of 2



LVDS – UT54LVDS454 1.25 Gbps Repeater UT54LVDS454-EVB Evaluation Board

5.0 Product Evaluation Board – Schematic Diagram (Continued) – p. 2 of 2



LVDS – UT54LVDS454 1.25 Gbps Repeater UT54LVDS454-EVB Evaluation Board

6.0 Revision History

Date	Revision	Change description
07/28/2022	0.0.1	UT54LVDS454-EVB Evaluation Board – Brief Description – Initial revision
07/24/2023	1.0.0	UT54LVDS454-EVB Evaluation Board – Brief Description – Frontgrade format update.

The following United States (U.S.) Department of Commerce statement shall be applicable if these commodities, technology, or software are exported from the U.S.: These commodities, technology, or software were exported from the United States in accordance with the Export Administration Regulations. Diversion contrary to U.S. law is prohibited.

Frontgrade Colorado Springs LLC (Frontgrade) reserves the right to make changes to any products and services described herein at any time without notice. Consult an authorized sales representative to verify that the information in this data sheet is current before using this product. The company does not assume any responsibility or liability arising out of the application or use of any product or service described herein, except as expressly agreed to in writing; nor does the purchase, lease, or use of a product or service convey a license under any patent rights, copyrights, trademark rights, or any other of the intellectual rights of the company or of third parties.